

MODEL NUMBER	IEEE40-36-324TSC		
HORSEPOWER	40		
RPM / POLES	3600 / 2		
VOLTAGE / PHASE	460 / 3		
FRAME	324TSC		
ENCLOSURE / DEGREE OF PROTECTION	TEFC / IP56		
FREQUENCY	60 HZ		
FULL LOAD SPEED	3560 RPM		
SERVICE FACTOR	1.15		
INSULATION CLASS	F Class N Varnish		
FULL LOAD AMPS; 460	45.5 A		
LOCKED ROTOR CURRENT (% Full Load)	650 %		
NEMA CODE LETTER	G		
EFFICIENCY / POWER FACTOR	<u>LOAD</u>	<u>EFF.</u>	<u>P.F.</u>
	100 %	92.4 %	89.5 %
	75 %	92.6 %	88.5 %
	50 %	91.4 %	86.0 %
DUTY CYCLE	S1 / Continuous		
TORQUE	<u>FULL LOAD</u>	<u>LRT</u>	<u>BDT</u>
	59.4 lb.ft.	160 %	230 %
NEMA DESIGN	B		
MOMENT OF INERTIA	<u>LOAD (Max.)</u>	<u>MOTOR</u>	
	71.192 lb.ft. ²	3.987 lb.ft. ²	
SOUND PRESSURE LEVEL (No Load 1 M From Motor)	82 dB(A)		
MAX. SHAFT VIBRATION	0.08 In/Sec – Peak Velocity		
NUMBER OF STARTS (Hot / Cold)	2 Hot / 3 Cold		
MAX. AMBIENT TEMPERATURE	40° C		
MAX. ELEVATION	3300 Ft. Above Sea Level		
TEMPERATURE RISE (At Full Load)	80° C		
DRIVE-END BEARING	6313ZC3		
OPPOSITE DRIVE-END BEARING	6211ZC3		
BEARING SEAL TYPE	ProTech™ IP66 Labyrinth On DE and ODE		
GREASE TYPE	Mobil Polyrex EM		
MOUNTING	F1 (F2 Suitable), W6, W8, B3, V5, V6		
ROTATION	Bi-Directional		
APPROXIMATE WEIGHT	530 lbs		
AREA CLASSIFICATION	Class I, Division 2, Groups A, B, C, D, T3A		
PAINT	Epoxy		
INVERTER RATING	10:1 CT / 1000:1 VT		
INSULATION TYPE	Hyundai Inverter Shield, Meets NEMA MG1 Part 31		
SPECIFICATION - In Accordance With	IEEE-841, Version 2009, NEMA, CSA		



CC 038A





IEEE841 TEFC

THREE PHASE INDUCTION MOTOR

TYPE

PLP

CAST IRON FRAME

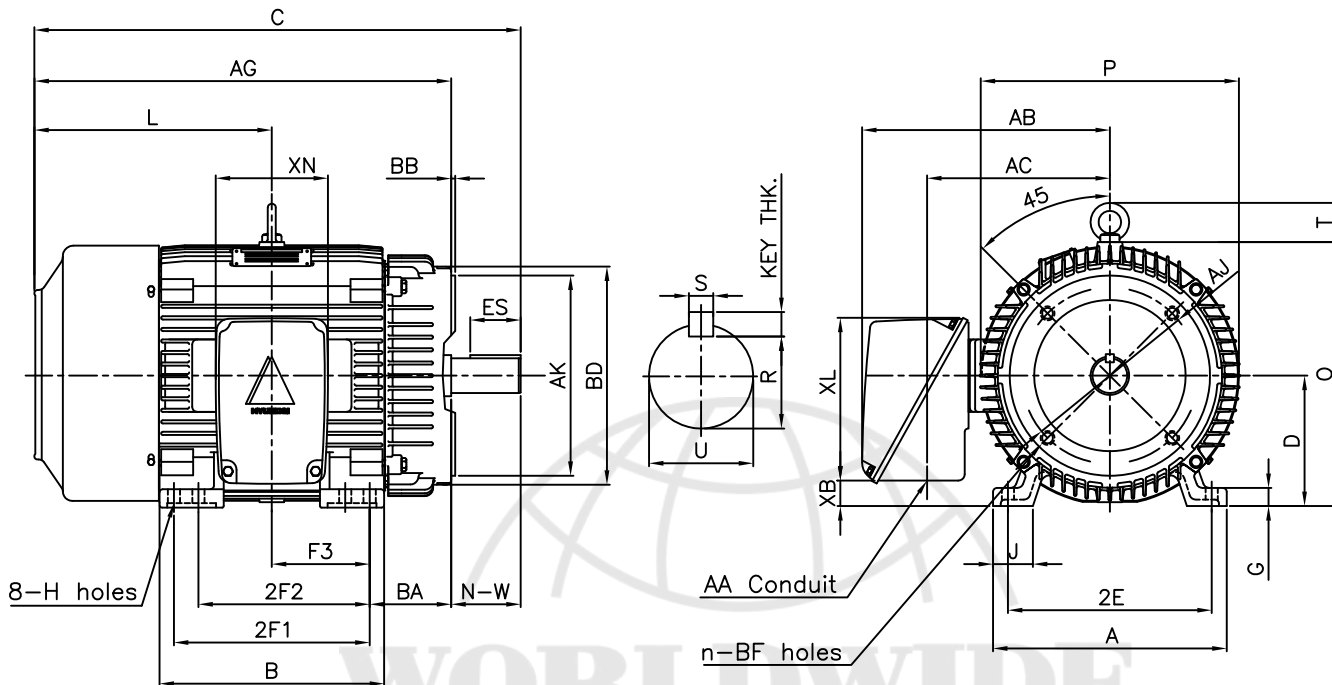
FRAME SIZE

OUTPUT(HP)

POLES

Hz

TIME RATING



F L A N G E						M O U N T I N G								
AJ	AK	BD	BB	BF	n	A	B	2E	2F1 ⁵⁾	2F2 ⁴⁾	F3	G	J	H
11.0	12.50	13.27	0.25	5/8-11	4	14.33	13.78	12.50	12.00	10.50	6.00	1.11	2.44	0.66

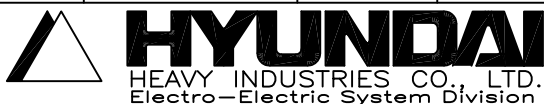
C O N D U I T B O X						O V E R A L L								A P P R O X . W G T . (L B)	
AA	AB	AC	XB	XL	XN	AG	BA	C	D	L	O	P	T	324TS	326TS
2.00	15.20	11.21	1.57	10.16	7.01	25.82	5.25	29.60	8.00	14.60	16.19	15.84	2.41	530	540

S H A F T					K E Y T H K .	B E A R I N G	
U	N-W	K E Y W A Y				DRIVE END	OPP. DRIVE END
		R	ES	S			
1.75	3.75	1.591	2.03	0.500	0.500	6313ZC3	6211ZC3

NOTE

- 1.Dimension "D" tolerance : +0.00inch - 0.03inch
- 2.Dimension "U" tolerance : +0.000inch - 0.001inch
- 3.Dimension "R" tolerance : +0.000inch - 0.015inch
- 4.Location of holes for 324TSC frame
- 5.Location of holes for 326TSC frame

APPD BY	KIM.Y.S	UNIT	INCH	SUBJECT	NEMA 324TSC/326TSC	CAD PROJ \ FILE
CHKD BY	KO.S.H	SCALE	1/12	TITLE	OUTLINE	XSMOUTN\A8312BA
CHKD BY		PROJEC'N	3rd Angle			
DSND BY	LEE KWANG SOO	DATE	2004.04.02			

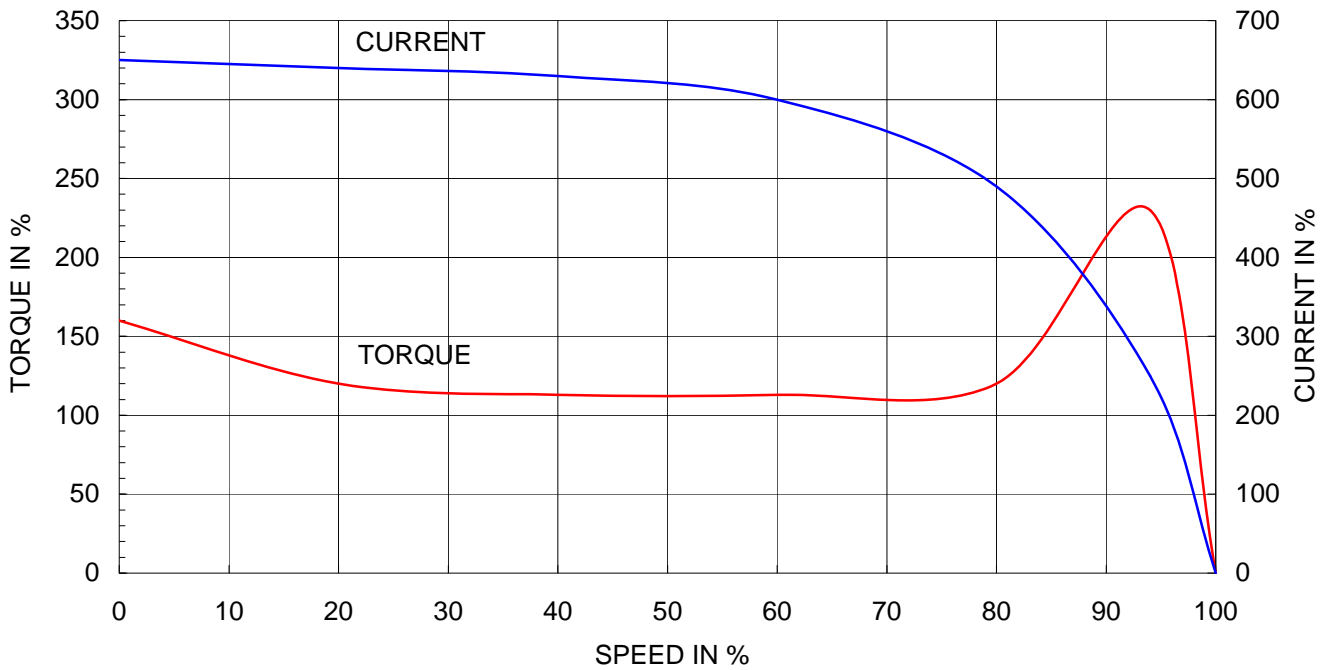


REF. NO	A1312BA	Sheet No.	of
DWG NO	350A8312BA	Revision No.	0

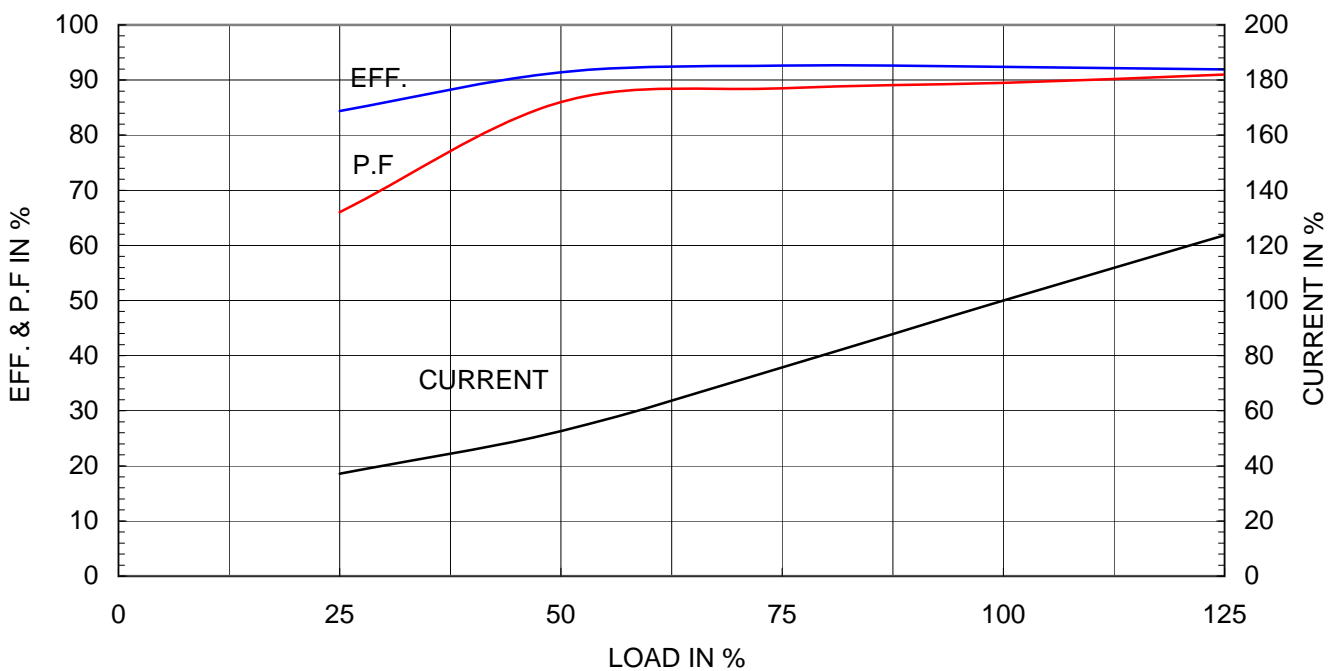
Type	: PLP
Full Load Torque	: 59.4 lb.ft
Motor moment of Inertia (J)	: 3.987 lb.ft ²
Load moment of Inertia (J)	: 71.192 lb.ft ²

30 kW	40 HP	60 Hz
2 P	Rated Speed : 3560 RPM	
Rated Voltage	575V	460V
Full Load Current	36.4A	45.5A

SPEED VS TORQUE & CURRENT CURVE



OUTPUT VS EFF., P.F & CURRENT CURVE



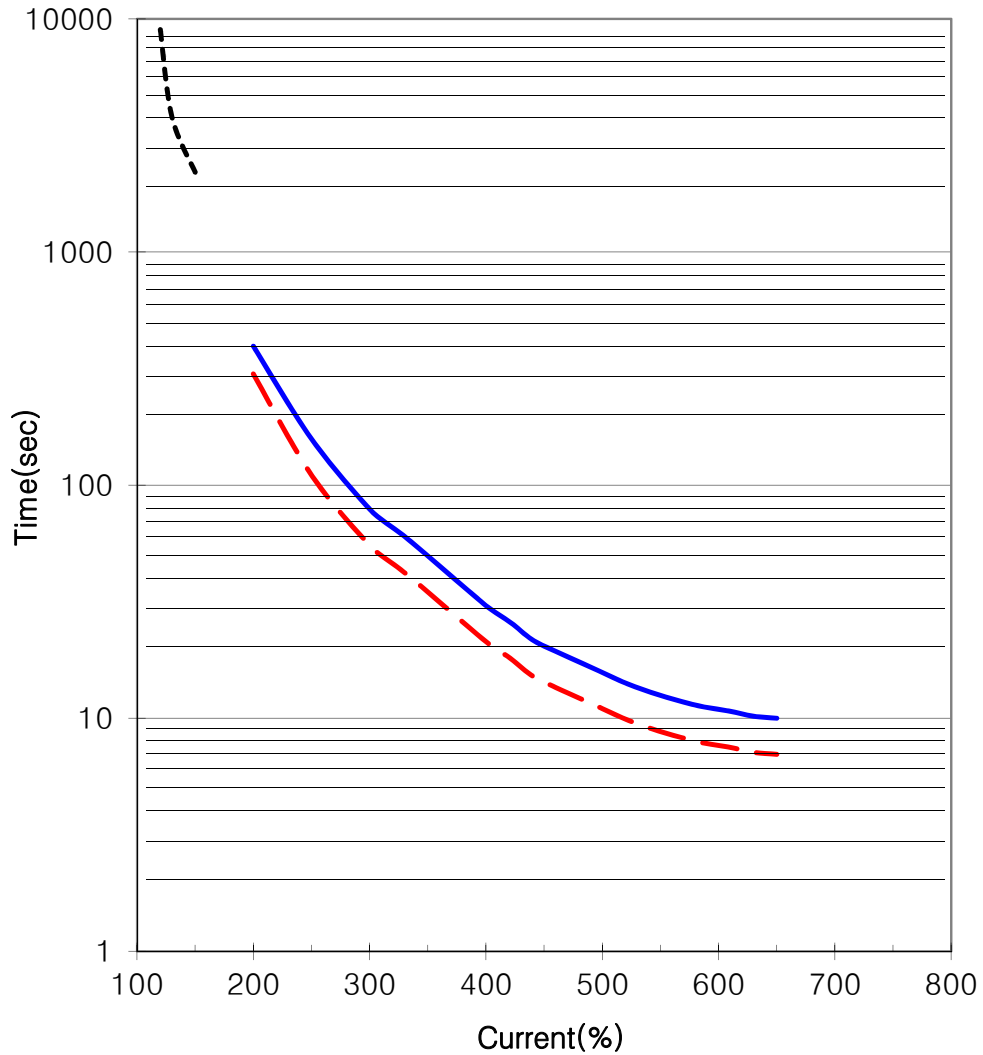


THERMAL LIMIT & TIME CURRENT CURVE

CURVE NO.

T-PLP40-36-324TS

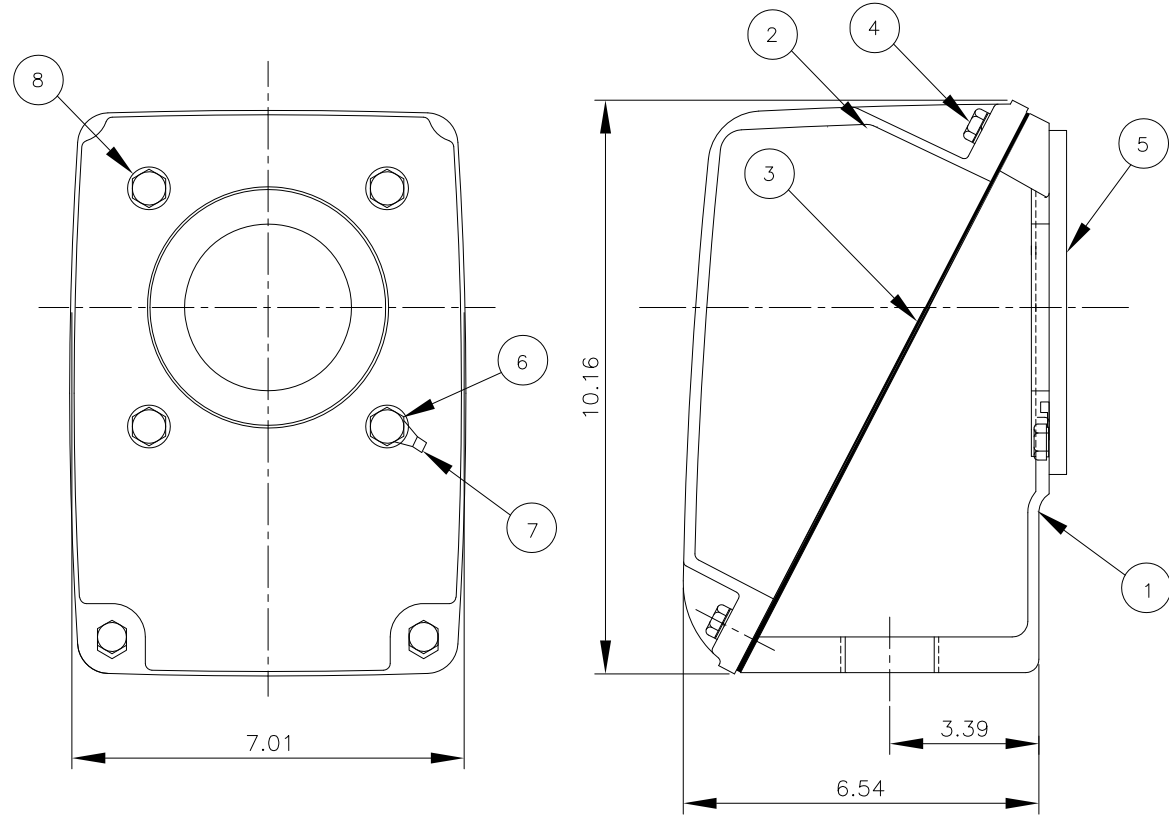
Type :	PLP40-36-324TS	40	HP	2	P	60	Hz
FULL LOAD TORQUE :	59.4 lb.ft	RATED SPEED :		3560 rpm			
J OF LOAD :	- lb.ft ²	VOLTAGE		460 V	575 V		
J OF MOTOR :	4.0 lb.ft ²	RATED CURRENT		45.5A	36.4A		



— THERMAL LIMIT CURVE AT COLD CONDITION
- - THERMAL LIMIT CURVE AT HOT CONDITION

STARTING TIME	SAFE STALL TIME
- at rated voltage starting	7 sec. at Hot condition
- at 80% of rated voltage starting	10 sec. at Cold condition

THIS DRAWING IS PROPRIETARY TO HHI. NO PART OF THIS DRAWING MAYBE REPRODUCED WITHOUT THE PERMISSION OF HHI.



PT	DESCRIPTION	MATERIAL	DIMENSION	Q,TY
1	CONDUIT BOX	FC20		1
2	C/B COVER	FC20		1
3	GASKET(COVER)	N.B.R	T2X170X210	1
4	SCREW(COVER)	S45C	M8XL20	4
5	GASKET(C/B)	N.B.R		1
6	SCREW(C/B)	S45C	M8XL20	4
7	TERMINAL GROUND	CU	T1.6	1
8	WASHER	S45C	M8 X L10	4

▽	50S
▽▽	12.5S
▽▽▽	3.2S
▽▽▽▽	0.4S

REV	DATE	CONTENTS	REVD BY	CHKD BY	CHKD BY	APPD BY
1						

일반기준공차		일반계관공차	
1-4	±0.1	6-30	±0.5
4-18	±0.2	30-120	±0.8
18-63	±0.3	120-315	±1.2
63-250	±0.5	315-1000	±2.0
250-	±0.8	1000-	±3.0

Q'TY	DESCRIPTION	MATERIAL	DIMENSION	WEIGHT	PART NO.	REMARK	NO.
APPD BY	KANG KYEONG JUNG	UNIT	INCH	SUBJECT	NEMA 320		DWG SIZE
CHKD BY	LEE NOH DUK	SCALE	1/2	TITLE			A3 (1:30)
CHKD BY	KIM IN KYU	PROJEC'N	3각법(3rd Angle)	Main Terminal Box Assembly			
DSND BY	KIM EUN SEONG	DATE	2011-08-30	REF. NO	227B8003CB5	Sheet No.	of
				DWG NO	3M-145864	Revision No.	0

